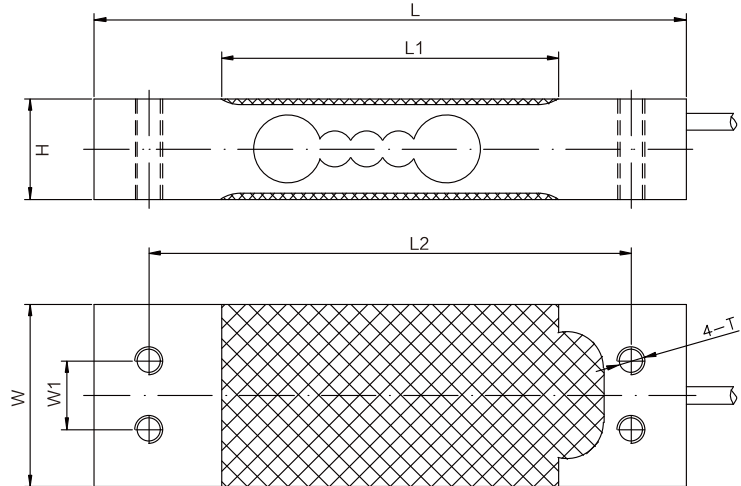
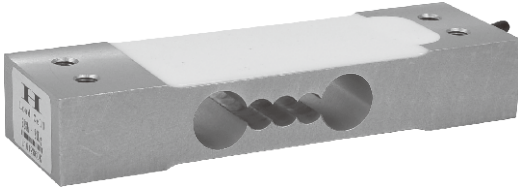


628HB



ALUMINUM
铝合金



尺寸 DIMENSIONS

Rate Capacity
量程

	L	L1	L2	W	W1	H	T
kg/mm							
35...50	130	74	106	40	15	22	M6
lb/inches(conversion of above dimensions 由以上尺寸转换)							
77.16...110.23	5.12	2.91	4.17	1.57	0.59	0.87	M6

技术参数 SPECIFICATIONS

Full Scale Output 灵敏度输出	$2.0 \pm 10\% \text{mV/V}$	Recommended Excitation 使用电压	10V(15V Maximmm)
Zero Balance 零点输出	$\pm 0.02 \text{mV/V}$	Reference Max.Platform Size 最大秤台尺寸	250*350mm
Nonlinearity 非线性	$< \pm 0.017\%$	Insulation Resistance 绝缘阻抗	$> 2[50 \text{V DC}] \text{G}\Omega$
Repeatability 重复性	$< \pm 0.017\%$	Nominal Temperature Range 工作温度	-10°C to 40°C / 14°F to 104°F
Hysteresis Error 滞后	$< \pm 0.017\%$	Safe Overload 安全过载	150% of full scale
Creep in 30 min 30分钟蠕变	$< \pm 0.023\%$ $< \pm 0.023\%$	Breaking Overload 极限过载	200% of full scale
Input Resistance 输入电阻	$405 \Omega \pm 10$	IP Rating 防护等级	IP66
Outnput Resistance 输出电阻	$350 \Omega \pm 3$	Cable Color Code 颜色码	Exc(输入)+:Red(红);Exc(输入)-:Black(黑);Sig(输出)+:Green(绿);Sig(输出)-:Whit白 Shield Bare(屏蔽)
Element Materia 材质	Aluminum 铝合金		

628HB

Special Features
特征

- ◆ 常温下，分度值可高达60,000
- ◆ 角差修正
- ◆ IP66防护
- ◆ 适用于电子计价秤，计数秤等称重设备
- ◆ Up to 60,000 divisions shor term precision At romm temperature
- ◆ Off-center load compensated
- ◆ IP66 protection
- ◆ Suitable for price computer scale,counting Scale and weighing scales,etc.